

HYDRAULIC ALUMINIUM HAND PUMPS



- ✓ WA series pumps are for use with Single Acting cylinders.
- ✓ Lightweight aluminium pumps, ideal for easy portability and handling.
- ✓ Two speed models to provide rapid cylinder advance until contact is made with the load.
- ✓ Hydraulic outlet port: 3/8"-NPT female.
- ✓ Fitted with safety valves to prevent overpressure.
- ✓ Fitted with handle clip for ease of carrying.

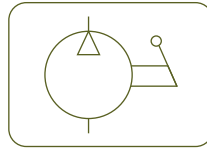
Model	Usable oil cm ³	Handle effort kg	Oil displacement per stroke (cm ³)		Pressure rating (bar)		Weight kg
			1 st Stage	2 nd Stage	1 st Stage	2 nd Stage	
LARZEP							
WA20507	500	29	13,4	2,6	20	700	3,7
WA21107	1.100	43	15,0	3,1	20	700	5,0



AZ3
Coupler 3/8"-18 NPT



P.114



AV - AVD - AT - AY
Pressure Gauges



23

HYDRAULIC ALUM. HAND PUMPS



Type

WA

Capacity

0,5 - 1,1 litres

Max. pressure

700 bar

WA21028

Aluminium Hand Pumps, 2.800 bar



P.84

W
Single Acting Hand Pumps

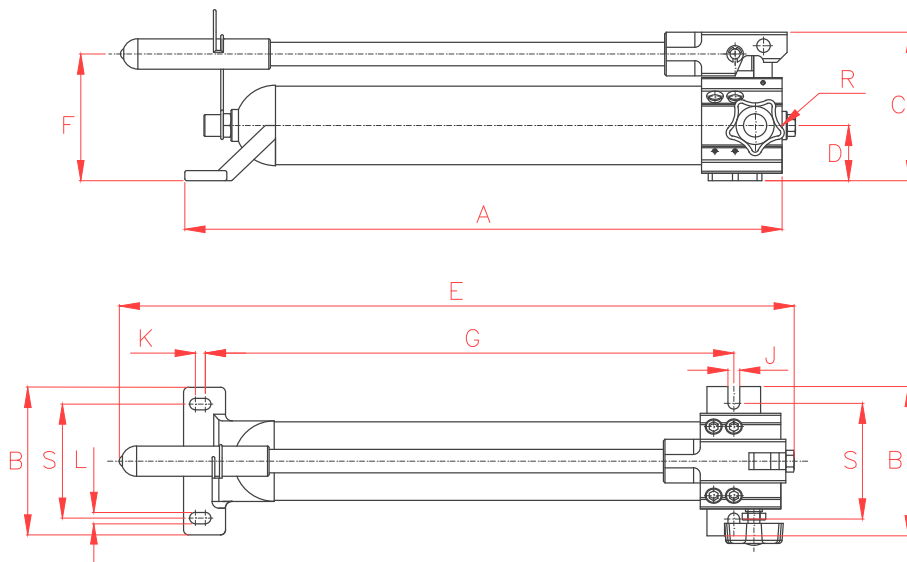


..30

X
Double Acting Hand Pumps



P.80



A	B	C	D	E	F	G	H	J	K	L	R	Model
mm	mm	mm	mm	mm	mm	mm	mm	mm	mm	mm	NPT	LARZEP
361	140	141	51	435	124	295,0	108	11,2	10	11,2	3/8"-NPT	WA20507
556	140	141	51	625	124	489,5	108	11,2	10	11,2	3/8"-NPT	WA21107