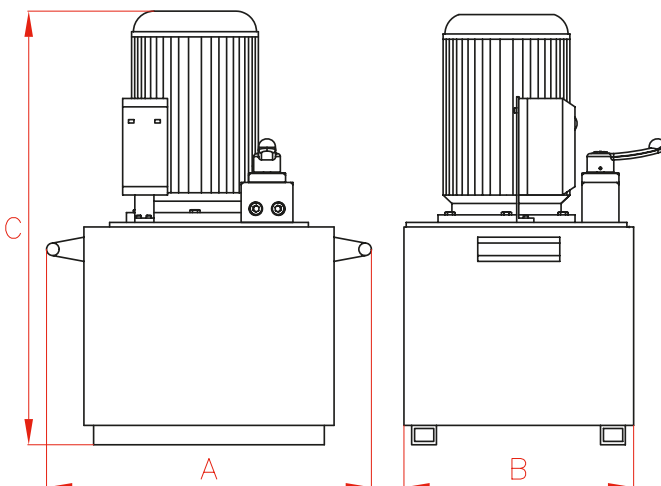


HYDRAULIC ELECTRIC PUMPS (MANUAL VALVE)



- ✓ Manual directional control valves.
- ✓ Also available HBE model, remote pendant controlled solenoid valves.
- ✓ The manual control valve is easily converted from double acting to single acting operation.
- ✓ Internal safety valve set at 700 bar to prevent overpressure.
- ✓ External adjustable pressure relief valve.
- ✓ For use with single acting or double acting cylinders for heavy lifting or production applications.
- ✓ Options: roll bars, heat exchanger, pressure gauge (glycerine or digital), wheel kit, pedal and push button remote motor control.

NOTE: Pressure gauge is not included.



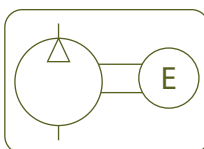
Capacity	A	B	C
l	mm	mm	mm
5	330	230	500
8,5	350	250	525
12,5	370	290	550
25	470	360	670
50	540	415	750
100	830	500	840



PUMP
Accessories



P.96



Type **HBM**

Capacity **5 - 100 litres**

Max. pressure **700 bar**

50-60 Hz 3 phase								
Tank	Flow at 700 bar	Flow at 50 bar	230 V		380V/415V		Power	Weight
l	l/min	l/min	S/A	D/A	S/A	D/A	kW	kg
5	0,36	4,00	HBM7222	HBM7242	HBM7224	HBM7244	0,75	21
8,5	0,54	5,90	HBM3322	HBM3342	HBM3324	HBM3344	1,10	30
12,5	0,54	5,90	HBM3422	HBM3442	HBM3424	HBM3444	1,10	38
12,5	0,82	8,64	HBM4422	HBM4442	HBM4424	HBM4444	1,10	40
25	1,64	14,00	HBM5522	HBM5542	HBM5524	HBM5544	2,20	78
25	3,28	11,77	HBM6522	HBM6542	HBM6524	HBM6544	5,50	90
50	1,64	14,00	HBM5622	HBM5642	HBM5624	HBM5644	2,20	130
50	3,28	11,77	HBM6622	HBM6642	HBM6624	HBM6644	5,50	160
100	3,28	11,77	HBM6722	HBM6742	HBM6724	HBM6744	5,50	240

50 Hz Single Phase								
Tank	Flow at 700 bar	Flow at 50 bar	115V		230 V		Power	Weight
l	l/min	l/min	S/A	D/A	S/A	D/A	kW	kg
5	0,36	4,00	HBM7225	HBM7245	HBM7221	HBM7241	0,75	29
8,5	0,54	5,90	HBM3325	HBM3345	HBM3321	HBM3341	1,10	38
12,5	0,54	5,90	HBM3425	HBM3445	HBM3421	HBM3441	1,10	46
12,5	0,82	8,64	HBM4425	HBM4445	HBM4421	HBM4441	1,50	48

60 Hz Single Phase								
Tank	Flow at 700 bar	Flow at 50 bar	115V		230 V		Power	Weight
l	l/min	l/min	S/A	D/A	S/A	D/A	kW	kg
5	0,36	4,00	HBM7226	HBM7246	HBM7223	HBM7243	0,75	29
8,5	0,54	5,90	HBM3326	HBM3346	HBM3323	HBM3343	1,10	38
12,5	0,54	5,90	HBM3426	HBM3446	HBM3423	HBM3443	1,10	46
12,5	0,82	8,64	HBM4426	HBM4446	HBM4423	HBM4443	1,50	48