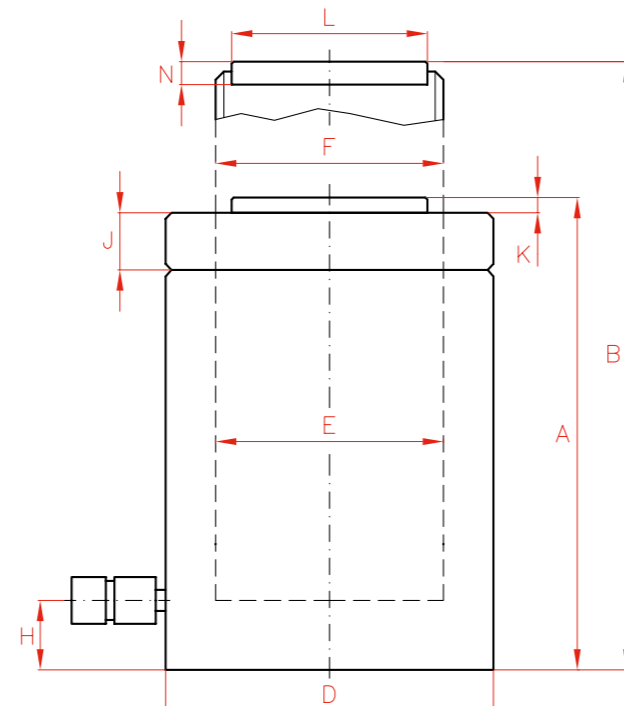


SINGLE ACTING LOCK NUT CYLINDERS, LOAD RETURN

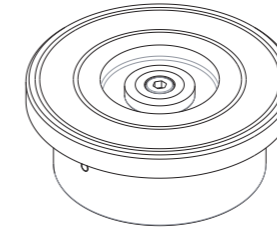


- ✓ Capacity from 30 to 1.000 Tn, stroke up to 300 mm.
- ✓ The lock nut holds the load mechanically for extended periods of time.
- ✓ Load return as standard. Spring return available as special.
- ✓ Lock nut tested under 50% overload.
- ✓ Hydraulic end of stroke overflow port. Whitout stop ring. Red band warning.
- ✓ Mechanical end of stroke available as special.
- ✓ Body, nut and saddle black nitrided to improve corrosion and wear resistance.
- ✓ Used for foundation supporting, bridge construction and shipbuilding.
- ✓ For confined spaces, use STX models.
- ✓ Other strokes available upon request.



OPTIONAL TILTING SADDLES

Model	Cylinder
CATS50	STC030, STC050
CATS100	STC100
CATS150	STC140
CATS200	STC220
CATS300	STC300
CATS400	STC400
CATS500	STC500
CATS600	STC600
CATS800	STC800
CATS1000	STC1000



S/A LOCK NUT CYLINDERS



Type	STC
Capacity	30 - 1.000 Tn
Stroke	50 - 300 mm
Max. pressure	700 bar

Capacity Tn (kN)	Stroke mm	Model LARZEP	Oil Cap. cm ³	A mm	B mm	D mm	E mm	F mm	H mm	J mm	K mm	L mm	N mm	Area cm ²	Weight kg
30 (303)	50	STC03005	221	141	191	100	75	Tr 75x4	20	20	3	50	20	44,2	9
	100	STC03010	442	191	291	100	75	Tr 75x4	20	20	3	50	20	44,2	12
	150	STC03015	663	246	396	100	75	Tr 75x4	20	20	3	50	20	44,2	15
	200	STC03020	884	296	496	100	75	Tr 75x4	20	20	3	50	20	44,2	18
	250	STC03025	1.104	355	605	100	75	Tr 75x4	20	20	3	50	20	44,2	22
51 (496)	300	STC03030	1.325	405	705	100	75	Tr 75x4	20	20	3	50	20	44,2	25
	50	STC05005	354	153	203	125	95	Tr 95x4	25	21	3	50	20	70,9	14
	100	STC05010	709	203	303	125	95	Tr 95x4	25	21	3	50	20	70,9	19
	150	STC05015	1.063	261	411	125	95	Tr 95x4	25	21	3	50	20	70,9	25
	200	STC05020	1.418	311	511	125	95	Tr 95x4	25	21	3	50	20	70,9	30
95 (929)	250	STC05025	1.772	366	616	125	95	Tr 95x4	25	21	3	50	20	70,9	35
	300	STC05030	2.126	416	716	125	95	Tr 95x4	25	21	3	50	20	70,9	40
	50	STC10005	664	180	230	170	130	Tr 130x6	30	31	3	71,5	20	132,7	31
	100	STC10010	1.327	230	330	170	130	Tr 130x6	30	31	3	71,5	20	132,7	40
	150	STC10015	1.991	285	435	170	130	Tr 130x6	30	31	3	71,5	20	132,7	50
144 (1.407)	200	STC10020	2.655	335	535	170	130	Tr 130x6	30	31	3	71,5	20	132,7	59
	250	STC10025	3.318	391	641	170	130	Tr 130x6	30	31	3	71,5	20	132,7	69
	300	STC10030	3.982	441	741	170	130	Tr 130x6	30	31	3	71,5	20	132,7	78
	50	STC14005	1.005	195	245	210	160	Tr 160x6	40	38	3	94	20	201,1	52
	100	STC14010	2.011	245	345	210	160	Tr 160x6	40	38	3	94	20	201,1	65
224 (2.192)	150	STC14015	3.016	309	459	210	160	Tr 160x6	40	38	3	94	20	201,1	83
	200	STC14020	4.021	359	559	210	160	Tr 160x6	40	38	3	94	20	201,1	96
	250	STC14025	5.027	415	665	210	160	Tr 160x6	40	38	3	94	20	201,1	111
	300	STC14030	6.032	465	765	210	160	Tr 160x6	40	38	3	94	20	201,1	125
	150	STC22015	4.712	328	478	260	200	Tr 200x6	50	40	3	113	25	314,2	134
310 (3.037)	300	STC22030	9.425	488	788	260	200	Tr 200x6	50	40	3	113	25	314,2	201
	150	STC30015	6.506	351	501	305	235	Tr 235x6	55	45	5	140	30	433,7	197
409 (4.008)	300	STC30030	13.012	511	811	305	235	Tr 235x6	55	45	5	140	30	433,7	289
	150	STC40015	8.588	370	520	350	270	Tr 270x6	65	50	5	159	30	572,6	274
522 (5.114)	300	STC40030	17.177	530	830	350	270	Tr 270x6	65	50	5	159	30	572,6	395
	150	STC50015	10.959	395	545	400	305	Tr 305x6	75	60	5	179	30	730,6	378
611 (5.987)	300	STC50030	21.918	555	855	400	305	Tr 305x6	75	60	5	179	30	730,6	535
	150	STC60005	4.276	311	361	430	330	Tr 330x6	80	80	5	194	30	855,3	347
831 (8.149)	150	STC60015	12.829	421	571	430	330	Tr 330x6	80	80	5	194	30	855,3	472
	300	STC60030	25.659	581	881	430	330	Tr 330x6	80	80	5	194	30	855,3	654
1.085 (10.644)	150	STC80005	5.821	348	398	505	385	Tr 385x6	95	90	5	224	30	1.164,2	537
	300	STC80015	17.462	458	608	505	385	Tr 385x6	95	90	5	224	30	1.164,2	709
	150	STC80030	34.925	618	918	505	385	Tr 385x6	95	90	5	224	30	1.164,2	959
	50	STC100005	7.603	392	442	570	440	Tr 440x6	105	105	5	249	30	1.520,5	772
	150	STC100015	22.808	502	652	570	440	Tr 440x6	105	105	5	249	30	1.520,5	991
	300	STC100030	45.616	673	973	570	440	Tr 440x6	105	105	5	249	30	1.520,5	1.332