

LIFTING TABLES

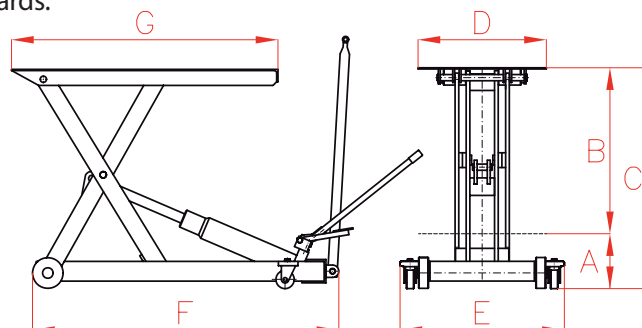
LIFTING TABLES



Type	<b>F</b>
Capacity	<b>650 - 2.500 kg</b>
Max. pressure	<b>700 bar</b>



- ✓ Single lift, from 650 to 2.500 kg lifting capacity.
- ✓ A foot pedal is fitted to advance the lifting table quickly to contact the load.  
The operating handle is then used to lift the load.
- ✓ Special lowering valve for a safe and controlled movement. Overload safety relief valve.
- ✓ Operating handle facilitates easier operation.
- ✓ The table can be locked at different heights with safety pins.
- ✓ Polyamide duty swivel castors for easy manoeuvrability.
- ✓ The frame is in accordance with lifting table security standards.



Capacity	Model	A	B	C	D	E	F	G	Weight
kg	LARZEP	mm	mm	mm	mm	mm	mm	mm	kg
650	<b>F00643</b>	215	430	645	500	645	1.060	830	72
1.500	<b>F01567</b>	210	670	880	500	690	1.380	1.020	136
2.500	<b>F02558</b>	300	580	880	540	795	1.440	1.060	188