



SPREAD CYLINDERS “CY0109” “CY00822” “CY0109/G” “CY00822/G”



LARZEP, S.A.
Avenida Urtiaga, 6
48269 MALLABIA, SPAIN
Tel. +34 943 171200
Fax. +34 943 174166
e-mail: sales@larzep.com
www.larzep.com

LARZEP AUSTRALIA PTY. LTD.
139 Wedgewood Road,
HALLAM, VIC. 3803 AUSTRALIA
Tel. +61 (3) 9796 3744
Fax. +61 (3) 9796 5964
e-mail: sales@larzep.com.au
www.larzep.com.au

LARZEP AUSTRALIA PTY. LTD.
49A Sustainable Avenue
BIBRA LAKE, WA 6163 AUSTRALIA
Tel. +61 (8) 9418 4988
Fax. +61 (8) 9418 2644
e-mail: sales@larzep.com.au
www.larzep.com.au

INDEX

1. BEFORE USING THE EQUIPMENT AND SECURITY-----2
2. TECHNICAL FEATURES-----2
3. MANUFACTURER’S DECLARATION -----3
4. WARRANTY-----3
5. DECLARATION OF CONFORMITY-----4
ANNEX

❖ GENERAL DRAWING

1. BEFORE USING THE EQUIPMENT AND SECURITY.

The spread cylinder “CY0109” and “CY00822”, are designed and manufactured tools, under our internal quality standard and the supervision that forces the rule ISO9001.
 The operator must be familiarized with the use of this tool, must be consequent with the inherent risk of the use of the hydraulic tools.
 Use the appropriate protection devices such as:



If any malfunction in the equipment is detected, never use it ,until be repaired by specialist personnel. Store it far of the operators in a safe place.

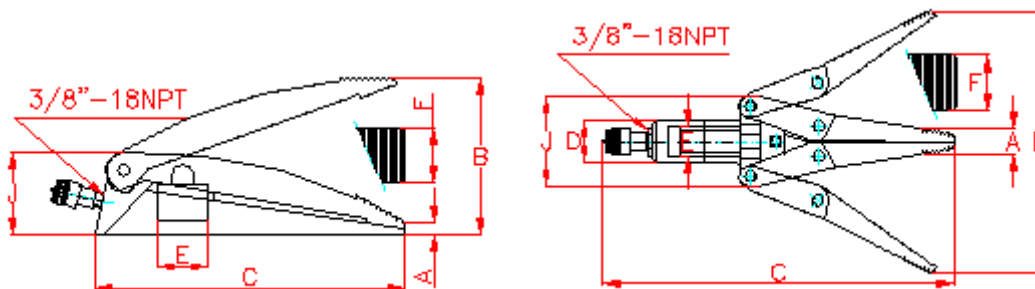
Watch the extreme environmental conditions and keep greased the equipment.



Never store the tool in a place where the children could have access to it.

This tool has been designed for operations such as: pieces separation, movement of blocks separated by a few millimetres, in maintenance operations, machine’s movements, etc.. These tools are served in the maintenance sets like a standard element.
The omission of this instruction manual, could produce personal injuries and material damages, that LARZEP, S.A. will not be responsible.

2. TECHNICAL FEATURES.



Capacity Tn.(kN)	Pressure bar	Stroke Mm	LARZEP	Area cm ²	Oil cap cm ³	A mm.	B mm.	C mm.	D mm.	E mm.	F mm.	J mm.	Weight Kg
1 (70)	700	75	CY0109	6,6	10	15	90	225	-	29	55	55	2
0,8 (8)	550	189	CY00822	14,5	63	31	220	443	58	43	50	124	7

We will have in mind that the technical features for the references CY0109/G and CY00822/G are the same as the references CY0109 and CY00822, except the coupler.

The references CY0109 and CY00822 are provided with a low flow female quick coupler AZ3240, whereas the references CY0109/G and CY00822/G are provided with a high flow female quick coupler AZ3140.

3. DECLARATION OF MANUFACTURER.

LARZEP, S.A., located in Avda. Urriaga 6, 48269 Mallabia (Vizcaya); it declares that the spread cylinder "CY0109", "CY0109/G", "CY0822" and "CY00822/G", are not a machine in itself, therefore will not be complete nor safe, except in the cases in which one is reconciled to the set of a hose and pump that correspond by dimensions and force of work to the cylinder.

The components described in the chapter of technical characteristics of this manual, are assembled by LARZEP, S.A., this cylinders cannot be put in use until it reunites the conditions necessary to be described like a complete and safe machine that it fulfils the requirements of the normative CE, in case that it is fulfilled will be able to take the noticeable CE.

Nevertheless, LARZEP, S.A. works in agreement to our standards of quality and under the control those norm ISO 9001 forces.

Sign:

D. Juan Carlos Bustos
Director of Quality.

4. WARRANTY.

LARZEP, S.A. guarantees its products against all design and manufacturing defects for the durations of two years from the date of purchase. This guarantee does not include the ordinary wear of both metal and non-metal parts, abuse, using the equipment beyond its rated capacity and any wear or damage incurred as a result of using a hydraulic fluid which is not recommended by **LARZEP, S.A.**

Please note that if the equipment is disassembled or serviced by anyone other than an authorized service dealer or by **LARZEP, S.A.**, this guarantee is rendered null and void.

In the event of a warranty claim, return the equipment, to **LARZEP, S.A.** or the authorized dealer which sold you the hydraulic equipment, **LARZEP, S.A.** will repair or replace the faulty equipment, whichever is deemed most appropriate. **LARZEP, S.A.** shall not be held liable for any consequential damages or losses, which may occur as a result of faulty equipment

5. DECLARATION OF CONFORMITY**DECLARACION DE CONFORMIDAD****E**LARZEP, S.A.
Dirección: Avda. Urriaga, 6
48269 Mallabia ESPAÑA

Declaramos bajo nuestra exclusiva responsabilidad la conformidad de los productos a los que refiere esta declaración, con las disposiciones de la directiva: 2006/42/CE

DECLARATION OF CONFORMITE**F**Nous, LARZEP, S.A.
Adresse: Avda. Urriaga, 6
48269 Mallabia SPAIN

Déclarons sous notre seule responsabilité que les produits auxquels se réfère cette déclaration sont conformes aux dispositions des Directives: 2006/42/EC

DECLARAÇÃO DE CONFORMIDADE**P**Nós, LARZEP, S.A.
Endereço: Avda. Urriaga, 6
48269 Mallabia SPAIN

Declaramos, sob nossa única responsabilidade, que os seguintes produtos, incluídos nesta declaração estão em conformidade com o disposto na Directiva: 2006/42/EC

ÖVERENSSTEMMELSEERKLÄRING**DK**Vi, LARZEP, S.A.
Adresse: Avda. Urriaga, 6
48269 Mallabia SPAIN

Erklærer på eget ansvar, at følgende produkter som er omfattet af denne erklæringen, er i overensstemmelse med bestemmelse i Direktiv: 2006/42/EC

ERKLÆRING OM ÖVERENSSTEMMELSE**N**Vi, LARZEP, S.A.
Adresse: Avda. Urriaga, 6
48269 Mallabia SPAIN

Erklærer på eget ansvar, at følgende produkter som dekkes av denne erklæringen, er i overensstemmelse med bestemmelse i Direktiv: 2006/42/EC

ÜBEREINSTIMMUNGSERKLÄRUNG**D**Wir, LARZEP, S.A.
Anschrift: Avda. Urriaga, 6
48269 Mallabia SPAIN

Erklären auf eigene Verantwortung, daß folgende Produkte, auf die sich diese Erklärung bezieht, mit den Bedingungen der Direktiven, 2006/42/EC übereinstimmen.

Tipo, Type, Typ, Tyypki.

SM / SH / SP / SMP / SPR / SX / SMX / ST / STR / STX / SL / SAM / SAH / SAT / SATM / SSR / T / TE / TD / D / DH / DDR / DAH / DDA / DM / DI / JM / JH / JP / Z / ZR / W / WP / X / HAM / HAE / HAZ / HAG / HAS / HFM / HFE / HAP / HAT / HAB / WI / CK / CC / CN / FU / FV / FZ / FA / FX / FT / CY / AA / AU / CT / C / KC / LAS / LAX / CB / CH / CM / PH**A / AB / AC / B / AF / F / HN / HL / DLG / VA / VB / VC / VZ / ECE / ECM / ECZ / EE / EM / EZ / CA / CS****AZ / AP / AR / AV / AT / AX / AY / AM**Mallabia, ESPAÑA 2009 / 12 / 29

Lugar y fecha, place and date, lieu et date, plats och datum, paikka ja päivämäärä, udstedelsessted og dato, ort und datum, plaats en datum, local e data, luogo e data.

DECLARATION OF CONFORMITY**GB**We, LARZEP, S.A.
Address: Avda. Urriaga, 6
48269 Mallabia SPAIN

Declare under our sole responsibility that the following products to which this declaration relates conform with the provisions of Directives: 2006/42/EC

DICHIARAZIONE DI CONFORMITÀ**I**Noi, LARZEP, S.A.
Indirizzo: Avda. Urriaga, 6
48269 Mallabia SPAIN

Dichiariamo sotto la nostra esclusiva responsabilità che i prodotti ai quali questa dichiarazione si riferisce sono conformi quanto previsto dalle Direttive: 2006/42/EC

VAATIMUSTEMUKAISUUSVAKUUTUS.**FIN**Me, LARZEP, S.A.
Osoite: Avda. Urriaga, 6
48269 Mallabia SPAIN

Vakuutamme yksinomaan omalla vastuullamme, että seuraavat tuotteet, joihin tämä vakuutus liittyy, ovat seuraavien Direktiivien vaatimusten mukaisia: 2006/42/EC

VERKLARING VAN OVEREENKOMST.**NL**Wij, LARZEP, S.A.
Adres: Avda. Urriaga, 6
48269 Mallabia SPAIN

Verklaren geheel onder eigen verantwoordelijkheid dat de volgende producten, waarop deze verklaring heeft in overeenstemming zijn met de bepalingen van Richtlijn: 2006/42/EC

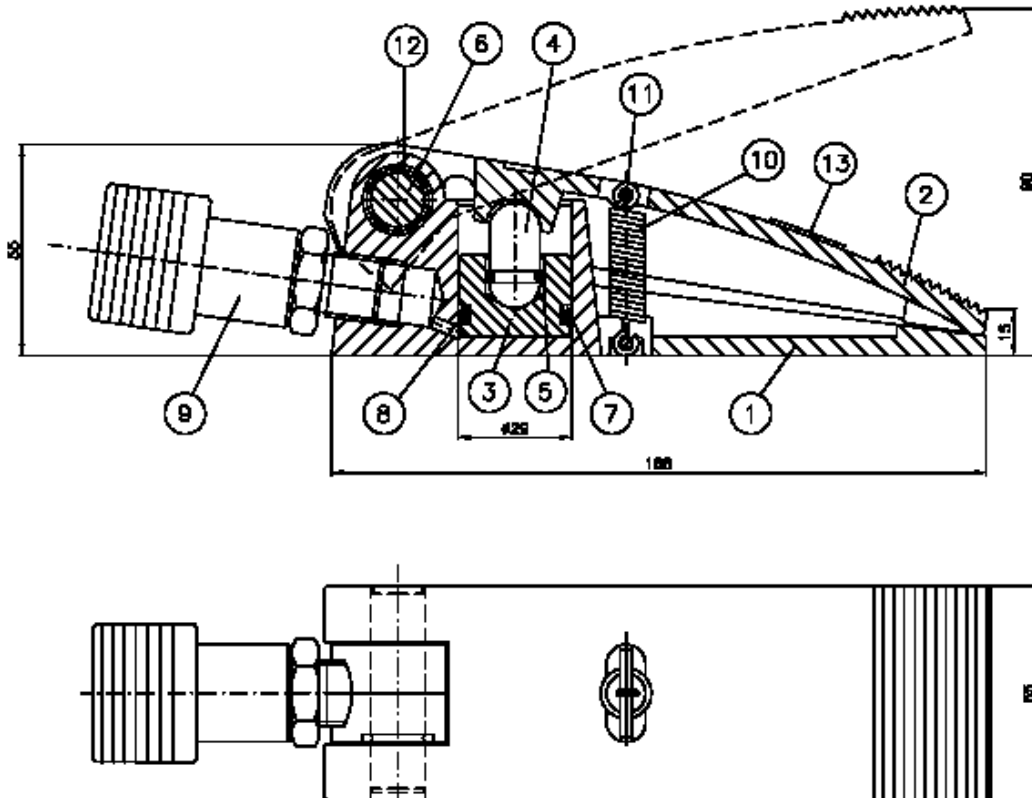
FÖRSÄKRAN OM ÖVERESSTÄMMELSE**S**Vi, LARZEP, S.A.
Adress: Avda. Urriaga, 6
48269 Mallabia SPAIN

Försäkrar under eget ansvar att följande produkter som omfattas av denna försäkran är i överensstämmelse med villkoren i Direktiv: 2006/42/EC

LARZEP, S.A.

Nombre y firma, name and signature, nom et signature, namn och underskrift, nimi ja nimikirjoitus, navn og underskrift, name und underskrift, naam en handtekening, nome e assinatura, nome e firma.

SPREAD CYLINDER	CY0109
CAPACITY	1 Tn (10 kN)
MINIMUM HEIGHT	15 mm
MAX.TIP CLEARANCE	90 mm
STROKE	15 mm
WEIGHT	2 Kg

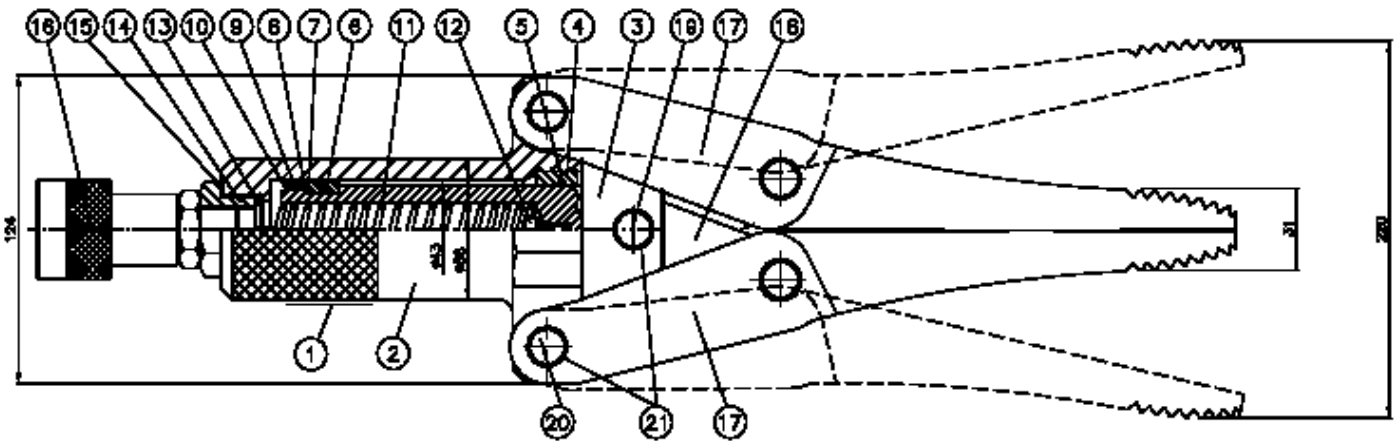


N	DESCRIPTION	REFERENCE	N° PIECES
1	BASE	50H0004	1
2	JAWS	24L0006	1
3	PISTON	53I0001	1
4	SADDLE	56P0001	1
*5	O-RING Ø9.19x2.62	12A 0047	1
6	AXIS	15I0026	1
*7	SEGMENT	57A 0077	1
*8	O-RING Ø21.82x3.53	12A 0090	1
9	COUPLING	AZ3240	1
10	SPRING	13A 0031	1
11	PIN	15I0027	2
12	RING	14D0005	1
13	LABEL	30A 018	1

*SEAL KIT

The reference CY0109/G is provided with AZ3140 quick coupler.

SPREAD CYLINDER	CY00822
CAPACITY	0.8 Tn (8 kN)
WORKING PRESSURE	550 bar
MIN. HEIGHT	31 mm
MAX. TIP CLEARANCE	220 mm
WEIGHT	7 Kg
STROKE	53 mm



N°	DESCRIPTION	REFERENCE	N° PIECES
1	LABEL	30A 0018	1
2	BODY	52I0001	1
3	PISTON	53I0002	1
4	GUIDE	55I0001	1
*5	O-RING Ø37.82x1.78	12A 0091	1
6	SECTOR SLEEVE	58A 0029	2
*7	WASHER	57D0001	1
*8	SEGMENT	57A 0078	1
*9	COLLAR Ø30x42x10	12B0029	1
10	RING	14D0006	1
11	SPRING	13A 0032	1
12	SCREW	14A 0004	1
13	PIN	14E0012	1
14	TRHEAD	15J0009	1
*15	COPPER RING	57B0010	1
16	COUPLER	AZ3240	1
17	JAWS	24L0007	2
18	JAW CONNECTOR	24F0008	2
19	PIN	15I0028	1
20	PIN	15I0029	4
21	ELASTIC RING	14D0007	10

*SEAL KIT

The reference CY00822/G is provided with the AZ3140 quick coupler.