



HYDRAULIC CHAIN CUTTER

"CK0116"



LARZEP, S.A.

Avenida Urutiaga, 6
48269 Mallabia, Spain
Tel. +34 943 171200
Fax. +34 943 174166
e-mail: info@larzep.com
www.larzep.com

INDEX

1. SAFETY ESSENTIAL REQUIREMENTS.....2
2. TECHNICAL FEATURES3
3. START-UP3
4. MAINTENANCE.....3
5. WARRANTY3
6. DECLARATION OF CONFORMITY.....4
ANNEX
❖ GENERAL DRAWINGS

1. SAFETY ESSENTIAL REQUIREMENTS

GENERAL CONSIDERATIONS

The **LARZEP** hydraulic cutters have been designed in accordance with our Quality Standards and under the control described by the ISO 9001 rules.



Bearing the above in mind, obviously the use of the cutter must be done as per the relevant instructions described in the manual. The user must be aware of the inherent risks when handling high pressure hydraulic devices, command properly the working operation and instruct accordingly the staff staying in the nearby area to the tool.

The tool is only designed for the operations described in this manual. No other uses are foreseen and therefore the manufacturer will not feel responsible for any damages caused by a wrong operation of the tool.

ORGANIZATIVE PRINCIPLES

The instructions guide must be always available at user's reach.

Hydraulic equipment can be used with such little effort that it is often easy to forget the magnitudes of force involved. As a complement to the instruction manual, the user should be trained as far as the machine operation and the corresponding safety and technical rules are concerned, such as those about prevention of accidents and protection of environment. **The operators must wear protective clothes like helmet, glasses, gloves, boots and others.**



Helmet



Glasses



Gloves



Boots

- In order to prevent any personal or material damage, the operator should be duly trained in the working operation and apply the relevant safety actions.
- Whenever the tool is operated, the steps described in the paragraph "START UP" of this manual should be followed.
- Any modification on the tool or replacement of components affecting the general safety should be avoided without the previous authorisation by the manufacturer.
- Any repairing and maintaining operation, etc. should be done only by specialised staff and with original spare parts **LARZEP**.
- If it is used, replace the hydraulic hoses periodically even if at first sight that don't show any damage or fault.
- Effect the suggested maintenance operations periodically as per this manual
- After operation, the tool should be clean and store fully retracted in a safe and clean place.

GENERAL INSTRUCTIONS FOR SAFETY



Check that both the tool and the accessories have not experienced any damage during transportation, handling or installation. Ensure that all the components of the hydraulic system can support the maximum pressure.

Before starting the operation, make sure that the user will work steady. Operate the tool in properly light powered areas.



Limit a maximum value of 80% of nominal capacity in continuous



Do not expose the tool to intense heat, such as when welding

- Effect the maintenance operations at no pressure and disconnected.
- Do not overpass the nominal capacity of the machine. Use indicators and devices to be aware of the working pressure.
- All commands should be operated by hand. Do not use any tools or levers for that purpose.
- After operation, clean and store them in the box.

For sets: Cutter + pump

- Make sure about the perfect cleaning of coupling and accessories. Dirty couplings are difficult to connect and might cause dust and other dirty materials to penetrate into the hydraulic circuit.
- When using electric pump, make sure that the distributor valve is in neutral position when plugging the pump.
- Ensure that heavy or sharp objects do not fall or are placed on the hose. Do not pressurize the hose by pumping against the coupling, before connecting pump and tool.

2. TECHNICAL CHARACTERISTICS

MODEL	CK0116
Push Capacity (700 kg/cm ²)	135 kN
Stroke	19,5 mm
Effective Area	19,6 cm ²
Oil Capacity	39,2 cm ³
Weight	4,5 kg

CK0116 CUTTING CAPACITY (ø max.)			
ø Chain mm	Strength by grades	ø Bar mm	Strength N/mm ²
19	28-43	19	700
14	60-80	15	1.000
		13	1.400
		11	1.600

3. START UP

1. Assemble the complete system, and make sure the connection between pump, hose, coupler and tool is perfect.
2. Ensure the operator understands how the cutter operates.
3. Test the circuit by pumping oil into the tool, and then opening the return valve to check the blade return. Check the tool at maximum pressure by working the piston against the limit of stroke and return the blade.
4. Insert the chain link or bar in the gap between blades (max. 0.75 inch/19 mm).
5. Center the material to be cut in the gap and check the alignment with the tool.
6. Actuate the pump until the material is broken. Retract the blade by releasing the return valve in the pump.

4. MAINTENANCE

REPLACEMENT OF BLADES

FIXED BLADE:

1. Loosen the stud (7) and push the blade (6) with a nail through the head hole and remove the damaged blade.
2. Insert a new blade and tighten the stud (7).

MOVABLE BLADE:

1. Remove the studs (7), on both sides
2. Loosen the second stud (17) to unscrew the body from the head.
3. Unscrew the screw (8), to get the blade free.
4. Mount a new blade and repeat steps 1, 2 & 3 in reverse order to reinstall the piston assembly, controlling the position of the flat side of the piston.
5. The studs (7) work like the piston guide. Lock the screws leaving an enough gap for the spring to operate.

REPLACEMENT OF SEALS

1. To disassemble the piston, unscrew the screw (9) and pull out the piston from the body to replace the seals (1, 13) and segment (20) with new ones. Do not use sharp edged tools.
2. The O-rings (3, 14) and washer (10) can also be changed along with seal and segment replacement.
3. To reassemble, repeat above steps in reverse order.

After operation, clean and store the tool in a box.

Perform maintenance operations with all pressure released.

Use always original spare parts LARZEP, S.A.

The spare parts of the tool are marked on the attached drawings with an asterisk.

Do not exceed equipment ratings. Use gauges or appropriate indicator devices to be aware of the working pressure.

5. WARRANTY

LARZEP, S.A. guarantees its products against all design and manufacturing defects for the durations of two years from the date of purchase. This guarantee does not include the ordinary wear of both metal and non-metal parts, abuse, using the equipment beyond its rated capacity and any wear or damage incurred as a result of using a hydraulic fluid which is not recommended by **LARZEP, S.A.**

Please note that if the equipment is disassembled or serviced by anyone other than an authorized service dealer or by **LARZEP, S.A.**, this guarantee is rendered null and void.

In the event of a warranty claim, return the equipment, to **LARZEP, S.A.** or the authorized dealer which sold you the hydraulic equipment, **LARZEP, S.A.** will repair or replace the faulty equipment, whichever is deemed most appropriate. **LARZEP, S.A.** shall not be held liable for any consequential damages or losses, which may occur as a result of faulty equipment.

6. DECLARATION OF CONFORMITY

DECLARACION DE CONFORMIDAD**E**

LARZEP, S.A.
Dirección: Avda. Urutiaga, 6
48269 Mallabia ESPAÑA
Declaramos bajo nuestra exclusiva responsabilidad la conformidad de los productos a los que refiere esta declaración, con las disposiciones de la directiva: 2006/42/CE

DECLARATION OF CONFORMITE**F**

Nous, LARZEP, S.A.
Adresse: Avda. Urutiaga, 6
48269 Mallabia SPAIN
Déclarons sous notre seule responsabilité que les produits auxquels se réfère cette déclaration sont conformes aux dispositions des Directives: 2006/42/EC

DECLARAÇÃO DE CONFORMIDADE**P**

Nós, LARZEP, S.A.
Endereço: Avda. Urutiaga, 6
48269 Mallabia SPAIN
Declaramos, sob nossa única responsabilidade, que os seguintes produtos, incluídos nesta declaração estão em conformidade com o disposto na Directiva: 2006/42/EC

ÖVERENSSTEMMELSESERKLÆRING**DK**

Vi, LARZEP, S.A.
Adresse: Avda. Urutiaga, 6
48269 Mallabia SPAIN
Erklærer på eget ansvar, at følgende produkter som er omfattet af denne erklæringen, er i overensstemmelse med bestemmelserne i Direktiv: 2006/42/EC

ERKLÆRING OM OVERENSSTEMMELSE**N**

Vi, LARZEP, S.A.
Adresse: Avda. Urutiaga, 6
48269 Mallabia SPAIN
Erklærer på eget ansvar, at følgende produkter som dekkes af denne erklæringen, er i overensstemmelse med bestemmelserne i Direktiv: 2006/42/EC

KONFORMITÄT SERKLÄRUNG**D**

Wir, LARZEP, S.A.
Anschriift: Avda. Urutiaga, 6
48269 Mallabia SPAIN
Erklären auf eigene Verantwortung, daß folgende Produkte, auf die sich diese Erklärung bezieht, mit den Bedingungen der Direktiven, 2006/42/EG übereinstimmen.

Tipo, Type, Typ, Tyypä.

SM / SAM / SH / SAH / SP / SMP / SPR / SX / SMX / STR / SAT / SATM / STX / SL / SSR / T / TE / TD / D / DDR / DDA / DH / DAH / DM / DI / JM / JP / JH / DL / SLX**W / WA / WP / X / Z / ZR / HAM / HAE / HAZ / HAG / HAS / HFM / HFE / WI / HAP / HAB / HAT / HBM / HBE / WAP / WIP / HEP****AP / AR / AZ / AV / AVD / AVT / AT / ATH / AY****CK / CC / CN / FU / FV / FZ / FA / CY / CT / C / AA / AU / BS / LS / LX / PH / CB / CH / CM / CX****A / AB / AC / AF / B / DLG / DLR / F / HN / HL / VA / VB / VC / VZ / EC / EE / EM / EZ / CA**

Mallabia, ESPAÑA 2018 / 04 / 12

Lugar y fecha, place and date, lieu et date, plats och datum, paikka ja päivämäärä, udstedelsessted og-dato, ort und datum, plaats en datum, local e data, luogo e data.

DECLARATION OF CONFORMITY**GB**

We, LARZEP, S.A.
Address: Avda. Urutiaga, 6
48269 Mallabia SPAIN
Declare under our sole responsibility that the following products to which this declaration relates conform with the provisions of Directives: 2006/42/EC

DICHIARAZIONE DI CONFORMITÀ**I**

Noi, LARZEP, S.A.
Indirizzo: Avda. Urutiaga, 6
48269 Mallabia SPAIN
Dichiariamo sotto la nostra esclusiva responsabilità che i prodotti ai quali questa dichiarazione si riferisce sono conformi quanto previsto dalle Direttive: 2006/42/EC

VAATIMUSTEMUKAISUUSVAKUUTUS.**FIN**

Me, LARZEP, S.A.
Osoite: Avda. Urutiaga, 6
48269 Mallabia SPAIN
Vakuutamme yksinomaan omalla vastuullamme, että seuraavat tuotteet, joihin tämä vakuutus liittyy, ovat seuraavien Direktiivien vaatimusten mukaisia: 2006/42/EC

VERKLARING VAN OVEREENKOMST.**NL**

Wij, LARZEP, S.A.
Adres: Avda. Urutiaga, 6
48269 Mallabia SPAIN
Verklaren geheel onder eigen verantwoordelijkheid dat de volgende producten, waarop deze verklaring heeft in overeenstemming zijn met de bepalingen van Richtlijn: 2006/42/EC

FÖRSÄKRAN OM ÖVERESSTÄMMELSE**S**

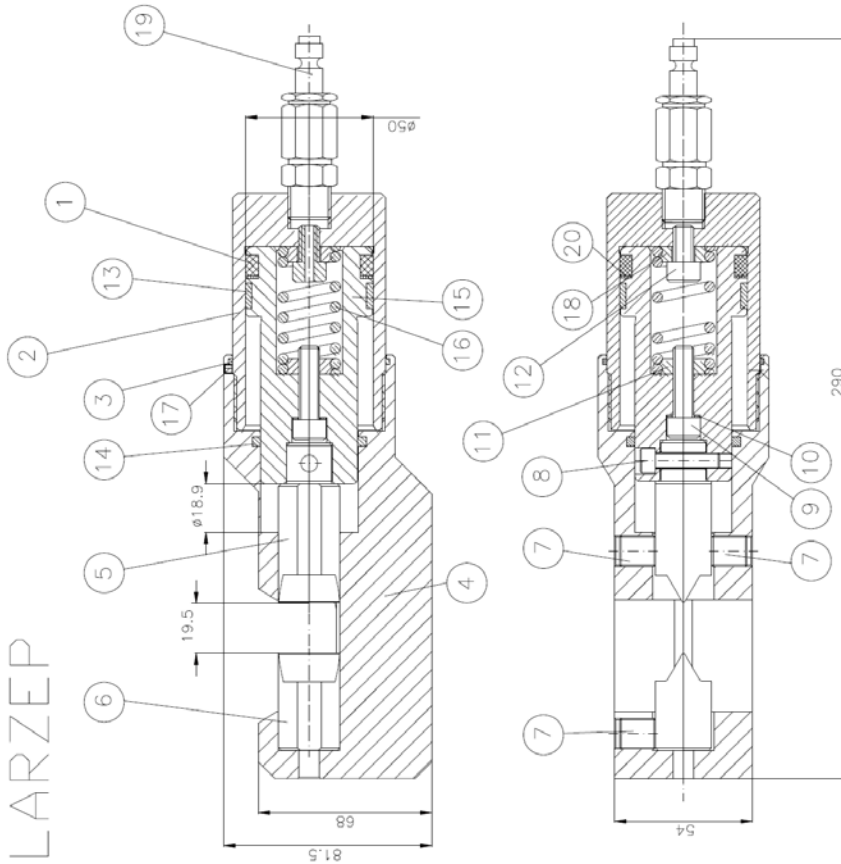
Vi, LARZEP, S.A.
Adress: Avda. Urutiaga, 6
48269 Mallabia SPAIN
Försäkrar under eget ansvar att följande produkter som omfattas av denna försäkran är i överensstämmelse med villkoren i Direktiv: 2006/42/EC

Juan Carlos Bustos

Nombre y firma, name and signature, nom et signature, namn och underskrift, nimi ja nimikirjoitus, navn og underskrift, name und underskrift, naam en handtekening, nome e assinatura, nome e firma.

* REPAIR KIT

N	DESCRIPTION	REFERENCE GASKET	CODE	N PARTS
* 1	Collar $\phi 40 \times \phi 50 \times 7.5$	TTU 40-50/1	12B0260	1
2	BODY		52U0008	1
* 3	O-RING $\phi 60.04 \times 1.78$		12A0269	1
4	SADDLE		56Q0006	1
5	BLADE		CRK16/1	1
6	COUNTERBLADE		CRK16/2	1
7	ALLEN STUD M12x16 DIN 913		14F0072	3
8	ALLEN SCREW M6x25 DIN 912 12.9		14A0473	1
9	ALLEN SCREW M8x30 DIN 912 12.9		14A0474	1
* 10	COPPER WASHER		57B0005	1
11	SPRING TIE		24F0108	1
12	ALLEN SCREW M8x16 WITH HOLE $\phi 3.5$		1500077	1
* 13	GUIDE RING $\phi 50 \times \phi 45 \times 9.7$	CP6900500-C380	58F0196	1
* 14	O-RING $\phi 37.69 \times 3.53$		12A0006	1
15	PISTON		53S0007	1
16	RETURN SPRING		13A0203	1
17	ALLEN STUD M4x5		14F0073	1
18	SPRING TIE		24F0109	1
* 19	MALE BALL QUICK COUPLER $\phi 15.5$ 3/8NPT		AZ3321	1
20	SEGMENT		57A0294	1
21	CASE		21D0068	1



MODEL	CAPACITY	LENGTH	WEIGHT	CHAIN ϕ	STRENGTH BY GRADES	BAR	STRENGTH
CK0116	134.8 kN	290 mm	4.5 Kg	19 mm 14 mm	28-43 60-80	$\phi 13$ $\phi 11$	140 Kg/mm ² 160 Kg/mm ²

VERSION	MODIFICACIONES	FEDRA
1	Se han modificado la referencia de los tornillos segun NI.2282	1-4-06
LARZEP		
CODIGO CK0116		
Sustituido por:		
Sustituye a:		
RUGOSIDADES ADMISIBLES		
NIP < 10µm < 1.6µm < 0.5µm		

VERSION	MODIFICACIONES	FEDRA
1	Se han modificado la referencia de los tornillos segun NI.2282	1-4-06
LARZEP		
CODIGO CK0116		
Sustituido por:		
Sustituye a:		
RUGOSIDADES ADMISIBLES		
NIP < 10µm < 1.6µm < 0.5µm		