



HYDRAULIC CABLE CUTTER

"CC0175"



LARZEP, S.A.
Avenida Urtiaga, 6
48269 Mallabia, Spain
Tel. +34 943 171200
Fax. +34 943 174166
e-mail: info@larzep.com
www.larzep.com

INDEX

1. BEFORE USING THE EQUIPMENT -----2
2. TECHNICAL FEATURES----- 2-3
3. ESSENTIAL SAFETY REQUIREMENTS -----4-5
4. START-UP-----5
5. MAINTENANCE -----6
6. WARRANTY -----6
7. DECLARATION OF CONFORMITY -----7

ANNEX

- GENERAL DRAWING

1. BEFORE USING THE EQUIPMENT

Remove the tool from its packaging and check for external damage, such as:

- a broken cutting blade.
- a damaged levers.
- a loosed/unscrewed parts.

LARZEP hydraulic tools are designed in accordance with internal quality standards, in compliance with the ISO 9001 regulation.

The tools are designed for the applications described in this manual. Any other use may pose a risk to the equipment and result in hazardous situations for the operator.

The manufacturer accepts no responsibility for damage resulting from the improper use of the tool

Check that the machine and accessories have not been damaged in any way during transportation to the plant.

Always use the tools in well-lit areas.



Never use hydraulic equipment that is damaged or suspected to be in poor condition

The tools are designed for the applications described in this manual. Any other use may pose a risk to the equipment and result in hazardous situations for the operator. The manufacturer accepts no responsibility for damage resulting from the improper use of the tool.

The operator should be fully aware of the risks inherent in the use of high-pressure hydraulic tools, and should act responsibility in accordance with that described in this manual, ensuring both his/her own safety as well as the safety of others located in the vicinity of the working zone.



Do not loose instruction manual

The working instructions should be available for consultation by the operator at all times.

In addition to reading and understanding the instructions manual, the operator should be trained in the use of the machine and in the standards and regulations governing operations of this kind, such as those pertaining to accident prevention and environmental protection, for example. All exposed personnel should use appropriate personal protection equipment: boots, helmet, goggles, gloves and protective clothing.



2. TECHNICAL FEATURES

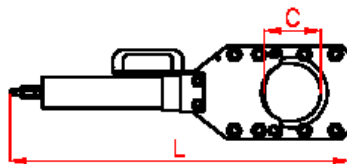
The tools in the CC cable cutter range are designed to cut cables and bars in accordance with the specifications contained in the table below. Any other use not included in the said specifications may cause irreparable damage to the cutter and render it unable to carry out the task for which it was designed.

When using the cable cutter, the operator should take steps to prevent the cable from fraying. We recommend that, before commencing the cutting operation, the cable be attached to either end of the cutting zone, using tape, wire or another similar means.

The operator should take appropriate steps at all times to prevent exposure to flying particles of cable or bar generated during the cutting process (personal protection equipment, protection screens, etc.).

MODELS WITHOUT BUILT-IN PUMP:

MODELS		CC0118	CC0140	CC0175	CC0190	CC01120	CC0160	CC0260
CAPACITY	kN	70	135	70	109	109	437	390
PRESSURE	bar	700	700	700	700	700	700	700
WIRE ROPE (ALUMINIUM)	mm	18	40	40	35	35	60	60
CABLE	Telephone ø Ext. mm	18	40	75	90	120	60	60
	Lead ø Ext. mm	18	40	75	90	120	60	60
	Underground ø Ext. mm	18	40	75	90	120	60	60
STEEL ROPE MAX.R = 1800 N/mm ²	ø Ext. mm	18	32	-	-	-	60	60
	Wire ø mm	1	1	-	-	-	2	2
BLADE		CRC18	CRC35-40	CRC75	CRC0190	CRC01120	CRC0160	CRC0160
DIMENSIONS	L mm	212	292	451	535	635	388	480
	C mm	18	40	75	90	120	64	64
WEIGHT	kg	2	5,3	5,5	10	11,7	15,8	24,6



3. ESSENTIAL SAFETY REQUIREMENTS

- In the event of the improper working of the machine or one of the connected elements, immediately halt all operation, depressurise the system and resolve the problem.
- Before beginning operation, make sure that the danger zone is unoccupied.



Check that the machine and accessories have not been damaged in any way during transportation to the plant.

- Always use the tools in well-lit areas.
- Regardless of whether the cutting tool has a built-in or separate pump, try to establish the most convenient and stable working method for both the tool and the operator.



Allow for a general use at 80% of the tool's nominal capacity. Do not exceed the tool's nominal capacity. In the case of tools with separate pumps, we recommend the use of a pressure indicator, in order to enable the operator to monitor at all times the force to which the system is subjected.

- It is quite possible that when cut, the work piece may project particles and fragments. Therefore, the operator should protect his/her body and (particularly) eyes using appropriate protective equipment.



Goggles



Face Protection

- In the case of tools with a separate pump, the hose enables the operator to move further away from the danger zone, while in the case of tools with built-in pumps, if possible, a guard should be positioned between the work piece and the operator.
- Do not expose tools to intense heat sources, such as welding equipment, for example.
- Depressurise and disconnect the tools before carrying out any maintenance operations
- The controls of both the tools with built-in pumps and the separate pumps themselves should always be activated manually. Do not use hand tools, levers, etc. to work the controls.
- In the case of tools with separate pumps, make sure all the quick plugs are completely clean before connecting.
- Make sure that the hydraulic hoses are neither twisted nor unduly tensed.
- When working with an electric pump, make sure that the valve is set to its neutral position before connecting the tool.
- When working with cable cutters, fraying may occur during the cutting operation. To avoid this, clamp the cable to either end of the cutting blade with tape, wire or even a bushing.
- Clean the quick plugs thoroughly before connecting.
- In all cases, the operator should be thoroughly trained in the operation of the tool and should act in accordance with the logical safety criteria associated with the use of high-pressure equipment.

4. START UP

MODELS WITH A SEPARATE PUMP: CC0118, CC0140, CC0160, CC0175, CC0190, C01120 and CC0260

- 1- Connect the hose's female quick plug to the tool's male plug. Make sure the connection is secure.
- 2- Read and follow the pump instructions.
- 3- Remove the pin and open the tool head.
- 4- Place the material to be cut in the cavity of the counter-blade and close the head, fixing it in place with the pin. Make sure the pin is properly positioned.
- 5- Pump until the material is cut.
- 6- Move the blade back by activating the pump valve.
- 7- Pump until the material is cut.
- 8- When using electric or air-based pumps, the application is automated. In such cases, the operator should be specially trained, in order to avoid the possibility of involuntary actions.

5. MAINTENANCE

- After use, the tool should be cleaned and the area where the blade comes into contact with the heads oiled.
- In the event of oil leaks, disassemble the tool and change the seals. The individual blueprint provided for each tool specifies its components and codes.
- During this operation, check the condition of the inside of the cylinder. If scratches or snags are detected, then a more thorough repair procedure will be required. We recommend that this be carried out **by specialist personnel**.
- Check for loose nuts in the head.
- In the event of improper functioning in the models with built-in pumps, we recommend that you send the tool to an authorised technical service for inspection and repair.

CHANGING THE BLADE

Pump until the piston and blade move out far enough to provide access to the screw (17). Release the screw and remove the blade (8). Replace the blade with a new one and attach to the piston by tightening the screw once again.

6. WARRANTY

LARZEP, S.A. guarantees its products against all design and manufacturing defects for the durations of two years from the date of purchase. This guarantee does not include the ordinary wear of both metal and non-metal parts, abuse, using the equipment beyond its rated capacity and any wear or damage incurred as a result of using a hydraulic fluid which is not recommended by **LARZEP, S.A.**

Please note that if the equipment is disassembled or serviced by anyone other than an authorized service dealer or by **LARZEP, S.A.**, this guarantee is rendered null and void.

In the event of a warranty claim, return the equipment, to **LARZEP, S.A.** or the authorized dealer which sold you the hydraulic equipment, **LARZEP, S.A.** will repair or replace the faulty equipment, whichever is deemed most appropriate. **LARZEP, S.A.** shall not be held liable for any consequential damages or losses, which may occur as a result of faulty equipment

7. DECLARATION OF CONFORMITY**DECLARACION DE CONFORMIDAD****E**LARZEP, S.A.
Dirección: Avda. Urriaga, 6
48269 Mallabia ESPAÑA

Declaramos bajo nuestra exclusiva responsabilidad la conformidad de los productos a los que refiere esta declaración, con las disposiciones de la directiva: 2006/42/CE

DECLARATION OF CONFORMITE**F**Nous, LARZEP, S.A.
Adresse: Avda. Urriaga, 6
48269 Mallabia SPAIN

Déclarons sous notre seule responsabilité que les produits auxquels se réfère cette déclaration sont conformes aux dispositions des Directives: 2006/42/EC

DECLARAÇÃO DE CONFORMIDADE**P**Nós, LARZEP, S.A.
Endereço: Avda. Urriaga, 6
48269 Mallabia SPAIN

Declaramos, sob nossa única responsabilidade, que os seguintes produtos, incluídos nesta declaração estão em conformidade com o disposto na Directiva: 2006/42/EC

ÖVERENSSTEMMELSEERKLÆRING**DK**Vi, LARZEP, S.A.
Adresse: Avda. Urriaga, 6
48269 Mallabia SPAIN

Erklærer på eget ansvar, at følgende produkter som er omfattet af denne erklæringen, er i overensstemmelse med bestemmelserne i Direktiv: 2006/42/EC

ERKLÆRINGOM OVERENSSTEMMELSE**N**Vi, LARZEP, S.A.
Adresse: Avda. Urriaga, 6
48269 Mallabia SPAIN

Erklærer på eget ansvar, at følgende produkter som dekkes av denne erklæringen, er i overensstemmelse med bestemmelserne i Direktiv: 2006/42/EC

KONFORMITÄTSEERKLÄRUNG**D**Wir, LARZEP, S.A.
Anschrift: Avda. Urriaga, 6
48269 Mallabia SPAIN

Erklären auf eigene Verantwortung, daß folgende Produkte, auf die sich diese Erklärung bezieht, mit den Bedingungen der Direktiven, 2006/42/EG übereinstimmen.

Tipo, Type, Typ, Tyypki.

SM / SAM / SH / SAH / SP / SMP / SPR / SX / SMX / STR / SAT / SATM / STX / SL / SSR / T / TE / TD / D / DDR / DDA / DH / DAH / DM / DI / JM / JP / JH / DL / SLX**W / WA / WP / X / Z / ZR / HAM / HAE / HAZ / HAG / HAS / HFM / HFE / WI / HAP / HAB / HAT / HBM / HBE / WAP / WIP / HEP****AP / AR / AZ / AV / AVD / AVT / AT / ATH / AY****CK / CC / CN / FU / FV / FZ / FA / CY / CT / C / AA / AU / BS / LS / LX / PH / CB / CH / CM / CX****A / AB / AC / AF / B / DLG / DLR / F / HN / HL / VA / VB / VC / VZ / EC / EE / EM / EZ / CA**Mallabia, ESPAÑA 2018 / 04 / 12

Lugar y fecha, place and date, lieu et date, plats och datum, paikka ja päivämäärä, udstedelsessted og-dato, ort und datum, plaats en datum, local e data, luogo e data.

DECLARATION OF CONFORMITY**GB**We, LARZEP, S.A.
Address: Avda. Urriaga, 6
48269 Mallabia SPAIN

Declare under our sole responsibility that the following products to which this declaration relates conform with the provisions of Directives: 2006/42/EC

DICHIARAZIONE DI CONFORMITÀ**I**Noi, LARZEP, S.A.
Indirizzo: Avda. Urriaga, 6
48269 Mallabia SPAIN

Dichiariamo sotto la nostra esclusiva responsabilità che i prodotti ai quali questa dichiarazione si riferisce sono conformi quanto previsto dalle Direttive: 2006/42/EC

VAATIMUSTEMUKAISUUSVAKUUTUS.**FIN**Me, LARZEP, S.A.
Osoite: Avda. Urriaga, 6
48269 Mallabia SPAIN

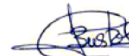
Vakuutamme yksinomaan omalla vastuullamme, että seuraavat tuotteet, joihin tämä vakuutus liittyy, ovat seuraavien Direktiivien vaatimusten mukaisia: 2006/42/EC

VERKLARINGVAN OVEREENKOMST.**NL**Wij, LARZEP, S.A.
Adres: Avda. Urriaga, 6
48269 Mallabia SPAIN

Verklaren geheel onder eigen verantwoordelijkheid dat de volgende producten, waarop deze verklaring heeft in overeenstemming zijn met de bepalingen van Richtlijn: 2006/42/EC

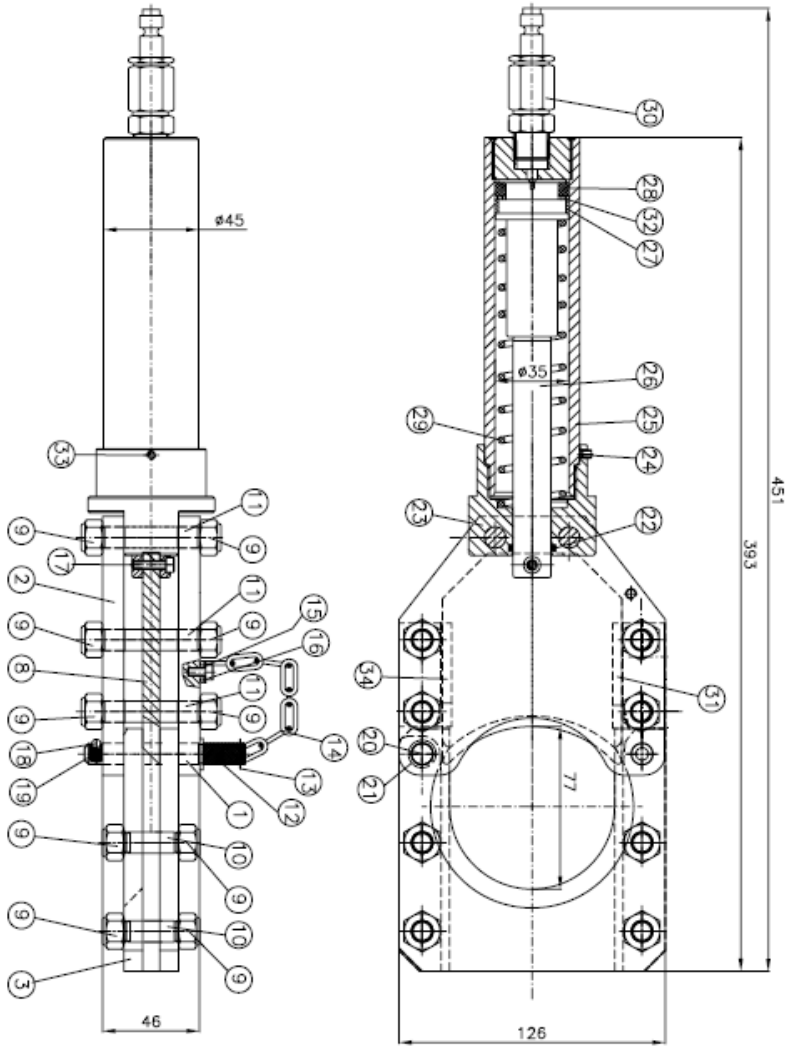
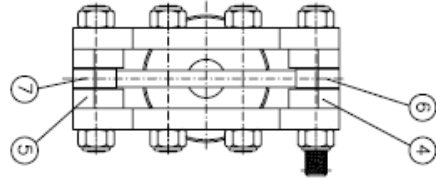
FÖRSÄKRAN OM ÖVERESSTÄMMELSE**S**Vi, LARZEP, S.A.
Adress: Avda. Urriaga, 6
48269 Mallabia SPAIN

Försäkrar under eget ansvar att följande produkter som omfattas av denna försäkran är i överensstämmelse med villkoren i Direktiv: 2006/42/EC



Juan Carlos Bustos

Nombre y firma, name and signature, nom et signature, namn och underskrift, nimi ja nimikirjoitus, navn og underskrift, name und underskrift, naam en handtekening, nome e assinatura, nome e firma.



MODEL	CAPACITY	LENGTH	WEIGHT	WIRE ROPE		CABLE			STEEL ROPE
				ALUMINIUM WITH COPPER	ALUMINIUM WITH STEEL	TELEPHONE	LEAD SHIELDED	UNDERGROUND	
CC0175	70 KN	451 mm.	5,5 Kg.	Ø40 mm.	Ø45 mm.	Ø45 mm.	Ø75 mm.	Ø75 mm.	Ø75 mm.
									MAX. STRENGTH 1800 N/mm ²

Author	VERSION	MODIFICACIONES	FECHA
PEDRO GOMEZ			
Ref. Nueva Firma	24-3-03		
Dimensiones en Bruto	Señales	Resistencia Kg/mm ²	
Peso en Bruto	Sgr. Escala	Directorio	
Tolerancias para las dimensiones sin indicación en el dibujo 40/LARZEP. HIE - E.K.S. HIE - REJESAS (DISTRIBUIDORES) 2.025			
M10 < 10μ		HIDROGENOS ANEXOS M10 < 1.6μ	
M10 < 1.6μ		M10 < 0.4μ	
M10 < 0.4μ		M10 < 0.04μ	

N	DESCRIPTION	REFERENCE GASKET	CODE	N PARTS
1	UPPER PLATE BASE		24K0071	1
2	LOWER PLATE BASE		24K0070	1
3	COUNTERBLADE		59B0002	1
4	RIGHT GUIDE BASE		24F0116	1
5	LEFT GUIDE BASE		24F0117	1
6	RIGHT GUIDE INTERMEDIATE BASE		24F0118	1
7	LEFT GUIDE INTERMEDIATE BASE		24F0119	1
8	MOBILE BLADE		CRC75	1
9	SELFLOCKING NUT M10 DIN-985		14B0023	20
10	SADDLE SHAFT		15I0210	4
11	SHAFT		15I0207	6
12	PIN		15I0209	1
13	ELASTIC PIN DIN 1481 #2x10		14E0026	1
14	11 UNF CHAN #2 4-8 L=18		24I0019	1
15	ALLEN SCREW M4x5 DIN 912 8.8		14A0150	1
16	STANDARD WASHER FOR M4		14C0017	1
17	ALLEN SCREW M4x15 DIN 912 12.9		14A0151	1
18	BALL Ø4		31A0002	1
19	SPRING		13D0111	1
20	SADDLE PIN		15I0208	1
21	ELASTIC RING FOR Ø10 DIN 471		14D0017	3
22	O-RING Ø17.2x2.62		12A0015	1
23	SADDLE		56Q0008	1
24	ALLEN STUD M4x5		14F0033	1
25	TUBE ASSEMBLY		52E0172	1
26	PISTON		53S0009	1
27	COPPER COLLAR		58A0293	1
28	COLLAR Ø25xØ35x5.5	TTU 26-36	12B0275	1
29	SPRING		13D0120	1
30	WALF BALL QUICK COUPLER #15.5 3/8NPT		A23321	1
31	LEFT BLADE GUIDE		55U0003	1
32	SEGMENT		57A0367	1
33	ALLEN STUD M4x5		14F0033	1
34	RIGHT BLADE GUIDE		55U0004	1

VIA. 31. Dirección Industrial		MODIFICACIONES		FECHA	
Autos	DESIGNACION	MATERIAL		TRATAMIENTO	
PEDRO GOMEZ	DESPIEZO CC0175	LARZEP		CC0175	
REF. Material	Fecha	Material	Resistencia	kg/mm ²	Superficie por
24-3-03	Suriza				
Dimensiones en Bruto	Suriza	Resistencia	kg/mm ²	Superficie por	
Trazo en Bruto	Fig. 1	Resistencia	kg/mm ²	Superficie por	
Tolerancias para las aberturas en indicación en el dibujo H9/K9 H8/k8 H7/k7 H6/k6 H5/k5 H4/k4 H3/k3 H2/k2 H1/k1 H9/K9 H8/k8 H7/k7 H6/k6 H5/k5 H4/k4 H3/k3 H2/k2 H1/k1					