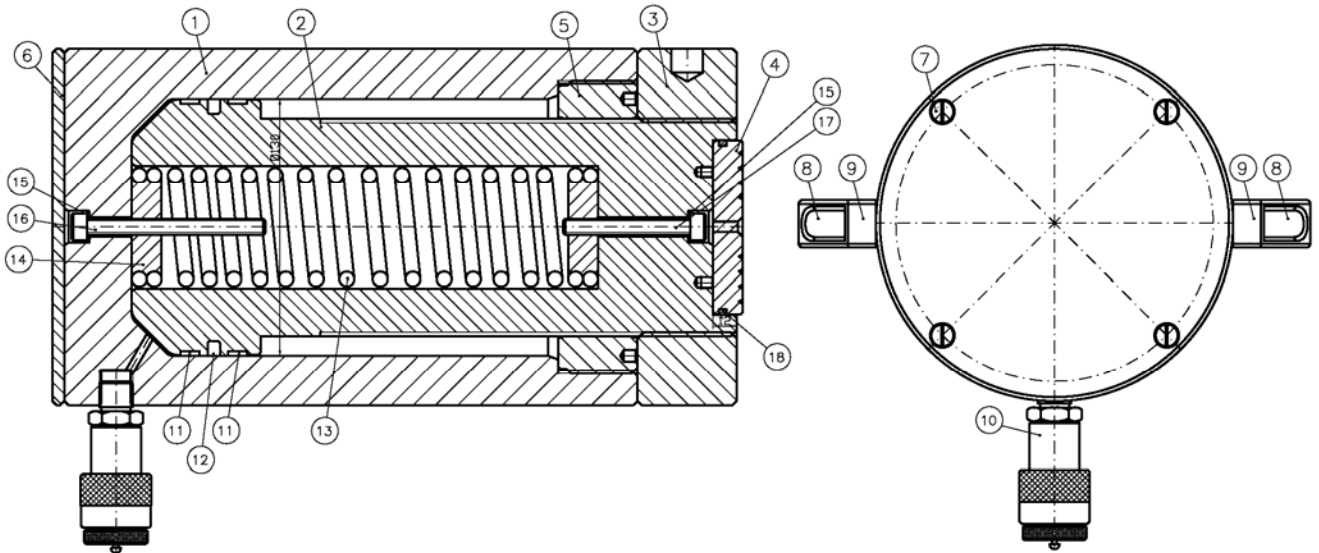


SATM10015



	SATM10015
	JR.SATM10015*
1	52E0384
2	53E0467
3	55F0402
4	56D0005
5	55E0159
6	24K0566
7	(4) 14A0440
8	(2) 33C0011
9	(4) 14A0162
10	AZ3140
*11	(2) 58F0169
*12	12B0602
13	13A0164
14	(2) 24F0078
*15	(2) 57B0030
16	14A0175
17	14A0528
*18	12A0030

LARZEP, S.A.

Avenida Urtiaga, 6
48269 MALLABIA, SPAIN
Tel. +34 943 171200
Fax. +34 943 174166
e-mail: sales@larzep.com
www.larzep.com

LARZEP AUSTRALIA PTY. LTD.

104 Wedgewood Road,
HALLAM, VIC. 3803 AUSTRALIA
Tel. +61 (3) 9796 3744
Fax. +61 (3) 9796 5964
e-mail: sales@larzep.com.au
www.larzep.com.au

LARZEP AUSTRALIA PTY. LTD.

49A Sustainable Avenue
BIBRA LAKE, WA 6163 AUSTRALIA
Tel. +61 (8) 9418 4988
Fax. +61 (8) 9418 2644
e-mail: sales@larzep.com.au
www.larzep.com.au