

HYDRAULIC ALUMINIUM HAND PUMPS



Aluminium Hand Pump 2800 bar, WA21028.

LARZEP advantages

- WA series pumps are for use with single-acting cylinders.
- Lightweight aluminium pumps, ideal for easy portability and handling.
- Two speed models to provide rapid cylinder advance until contact is made with the load.
- Hydraulic outlet port: 3/8"-NPT female.
- Fitted with external safety valves to prevent overpressure.
- Fitted with handle clip for easy of carrying.



Pressure Gauges.



Couplers.

Performance under Pressure



Hydraulic Steel Hand Pumps W-Series and X-Series.

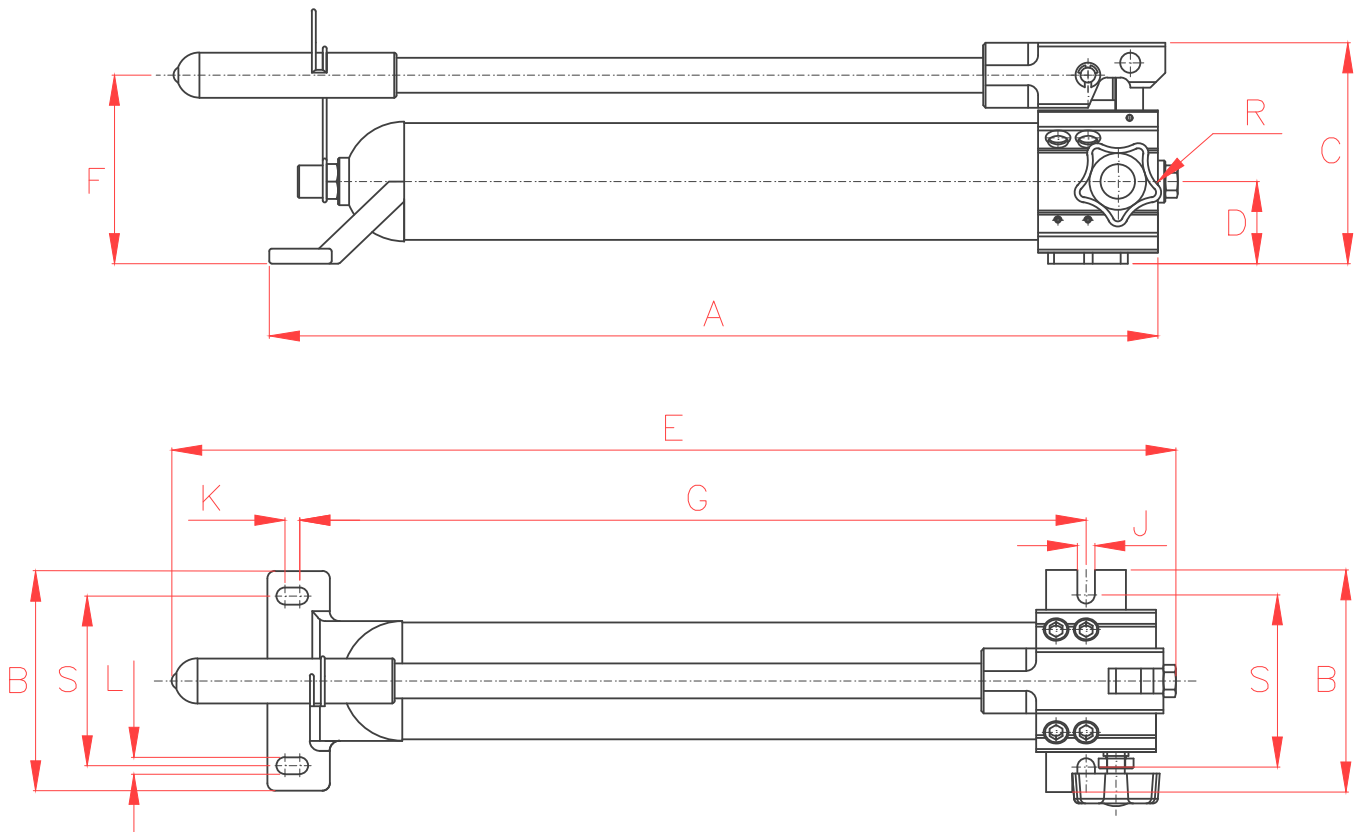
HYDRAULIC HAND PUMPS

WA

0,5-1,1 litres

700 bar

PUMPS

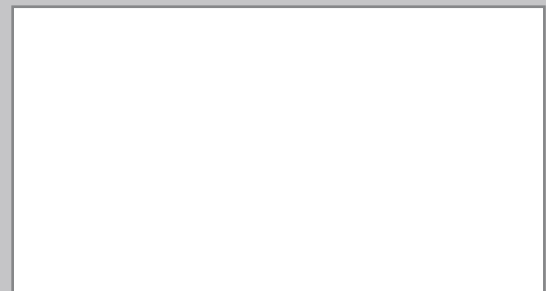


Model	A	B	C	D	E	F	G	H	J	K	L	R
LARZEP	mm	mm	mm	mm	mm	mm	mm	mm	mm	mm	mm	"
WA20507	361	140	141	51	435	124	295,0	108	11,2	10	11,2	3/8"-NPT
WA21107	556	140	141	51	625	124	489,5	108	11,2	10	11,2	3/8"-NPT

Model	Usable oil	Handel effort	Oil displacement per stroke (cm ³)		Pressure rating (bar)		Weight
			1 st Stage	2 nd Stage	1 st Stage	2 nd Stage	
LARZEP	cm ³	kg					kg
WA20507	500	29	13,4	2,6	20	700	3,7
WA21107	1.100	43	15,0	3,1	20	700	5,0



Larzep SA - Avda. Urutiaga 6 - 48269 Mallabia (Bizkaia) - Spain
www.larzep.com - info@larzep.com - T: +34 943 17 12 00



34-006 EN 09-2016 © Larzep - Subject to change without notice.

Performance under Pressure